


Part number

CKF 03 N



Female insert, CK series, screw terminal connection, 3 poles + PE, 10 A 230/400 V 4 kV 3, size "21.21", black colour

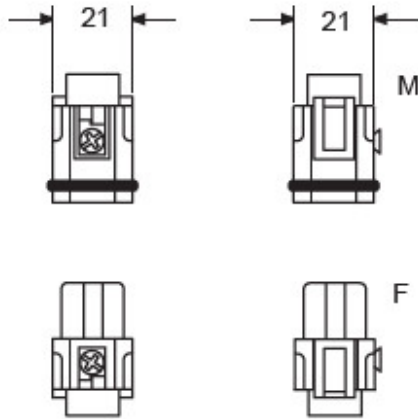
Product description		Material properties	
Product type	Insert	Main material	Polycarbonate (PC)
Series	CK	Other materials	Contacts: copper alloy
Connection type	Screw terminal connection	Colour	RAL 9005 black
Gender	Female	RoHs conformity	Compliant with exemption 6(c): copper alloy containing up to 4% lead by weight
N. of poles	3 poles + 	China RoHs - EFUP	50
Size	Size "21.21"	REACH SVHC substances	Yes Lead
Specification	Black colour Black colour	SCIP number	1a9c93ff-0445-4a16-81e3-1609ac5274d6
Technical data		Approvals / Standards	
Current	10 A	Reference standard	EN 61984:2009-06
Voltage	230 - 400 V	Certifications	CSA, CQC, DNV, BV, EAC
Rated impulse withstand voltage	4 kV	UL	ECBT2
Pollution degree	3	General ordering information	
Rated voltage according to UL/CSA	600 V	EAN13 code	8015747027991
Wire cross-section	0,75 mm ² - 2,50 mm ²	eCl@ss 8.1	27440205
AWG size	18 - 14	ETIM 7.0	EC000438
Contact type	Turned silver plated	Packaging Information	
IP degree of protection	IP20 without enclosure, IP44/IP66/IP67/IP68/IP69 with enclosure	Packaging length	210,00 mm
Further technical details		Packaging height	200,00 mm
Characteristics according to EN 61984	10A 230/400V 4kV 3; 10A 400/690V 4kV 2	Packaging width	130,00 mm
Mating cycles	≥ 500	Packaging weight	3,00 kg
Insulation resistance	≥ 10 GΩ	Packaging volume	5,46 dm ³
Contact resistance	≤ 2 mΩ	Packaging description	Carton box
Weight	13,50 g	Packaging quantity	200 Pcs
Operating temperature range (min, max)	-40°C ... +100°C	Packaging EAN code	8015747028004
Conductors stripping length	6 mm	Sub-packaging length	197,00 mm
UL 94 flammability rating	V-1	Sub-packaging height	35,00 mm
Torque for main contact	M3: 0,5 Nm; 4,4 lb.in (0,5 x 3 mm)	Sub-packaging width	113,00 mm
Tightening torque for PE connection	M3: 0,5 Nm; 4,4 lb.in (0,5 x 3 mm)	Sub-packaging weight	0,60 kg
Tightening torque for fixing screws	M3: 0,5 Nm; 4,4 lb.in (Ph1 or 0,8 x 5,5 mm)	Sub-packaging volume	0,78 dm ³
		Sub-packaging description	Carton box
		Sub-packaging quantity	40 Pcs
		Sub-packaging EAN barcode	8015747028011

Part number

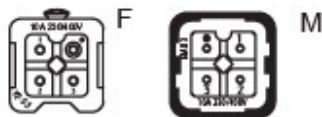
CKF 03 N



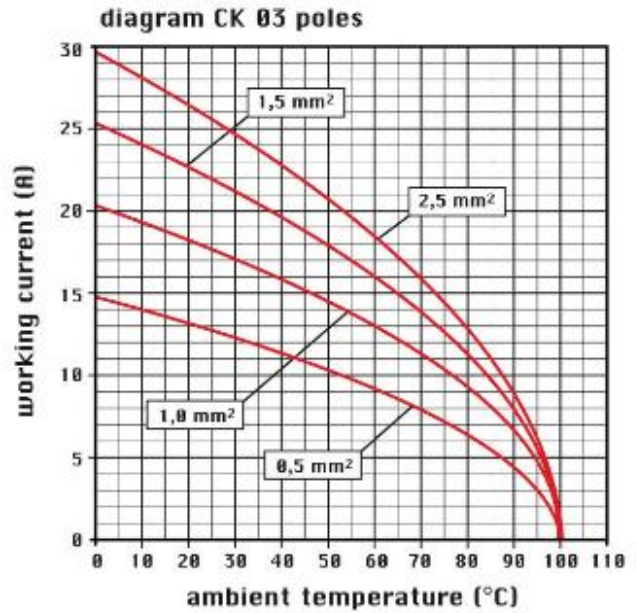
Catalogue drawings



contacts side (front view)



Derating curves



Notes

Dimensions shown in mm are not binding and may be changed without notice.

California Proposition 65 Information



WARNING

This product can expose you to lead and its compounds, known to the State of California to cause cancer and/or reproductive toxicity. For more information go to www.P65Warnings.ca.gov.

California Proposition 65 Information



WARNING

This product can expose you to lead and its compounds, known to the State of California to cause cancer and/or reproductive toxicity. For more information go to www.P65Warnings.ca.gov.